



NOMADIC AUDIO



USER MANUAL



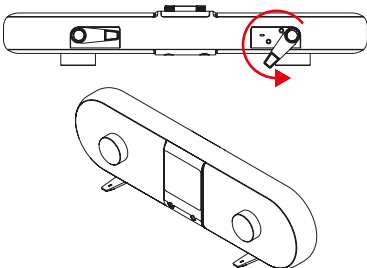
NOMADIC AUDIO IS A TRADEMARK OF MOREL

INSTALLATION

- Keep the device away from direct heat sources (for example: radiators, stoves, kettles, ovens, etc...)
- Keep the device away from fire and flames (for example: candle, fireplace, bonfire, etc...)
- Do not cover the front speaker grills.

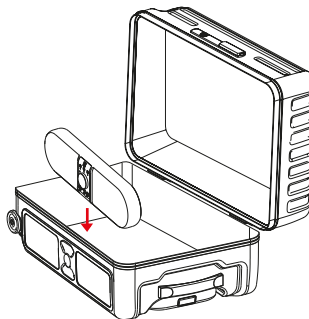
INSTALLATION IN ROOM

1. Rotate the feet on the bottom of the NOMADIC AUDIO BT speaker outwards to the open position.
2. Place the speaker on a flat and stable surface.



INSTALLATION IN THE NOMADIC AUDIO SPEAKASE

3. Open the suitcase.
4. Make sure the elastic fabric net is unhooked.
5. Rotate the feet on the bottom of the of the NOMADIC AUDIO BT speaker inwards to the closed position.
6. Place the NOMADIC AUDIO BT speaker firmly in the rubber cradle.
7. Hook the elastic fabric net to fasten the speaker in place.
8. Rotate the door on the side of the SPEAKASE to access the speaker front panel controls.
9. Plug the USB and power ports with the integrated rubber cap and rotate the door closed before any exposure to water.



CONNECTION

- Only connect the device to compatible audio sources as instructed in this manual.
- Only connect the device to the correct mains voltage as specified on the equipment.
- Be mindful to any damage to the power cord, plugs and sockets. Do not use faulty electrical equipment under any circumstances.
- Only use the supplied power supply and cable.
- Always unplug the device during lightning storms or when left unused for extended periods of time.
- This device does not have a mechanical power switch, unplugging the power supply is the only way to completely disconnect mains power to the device. Always make sure the power plug is readily accessible

CLEANING

- Keep the device away from dust, clean regularly with dry cloth and vacuum cleaner.

MAINTENANCE

- All servicing should be done by qualified service personnel. Servicing is required if the device: has been damaged in any way, submerged or soaked in water, does not operate normally, or has been dropped.
- The internal battery is not user replaceable.

COMPLIANCE MARKS

this product complies with these following regulations:



This device may not be treated as regular household waste. Management of WEEE (Waste Electrical and Electronic Equipment) is applicable in member states of the European Union and other European countries with individual national policies on the management of WEEE. If you need more information on the collection, reuse and recycling systems, please contact your local or regional waste administration facility.

FCC INFORMATION

15.19

This device complies with part 15 of the FCC Rules. Operation is subject to the following two conditions: (1) This device may not cause harmful interference, and (2) this device must accept any interference received, including interference that may cause undesired operation.

15.21

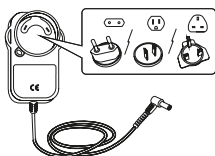
changes or modifications not expressly approved by the party responsible for compliance could void the user's authority to operate the equipment.

15.105

This equipment has been tested and found to comply with the limits for a Class B digital device, pursuant to part 15 of the FCC Rules. These limits are designed to provide reasonable protection against harmful interference in a residential installation. This equipment generates, uses and can radiate radio frequency energy and, if not installed and used in accordance with the instructions, may cause harmful interference to radio communications. However, there is no guarantee that interference will not occur in a particular installation. If this equipment does cause harmful interference to radio or television reception, which can be determined by turning the equipment off and on, the user is encouraged to try to correct the interference by one or more of the following measures:

- Reorient or relocate the receiving antenna.
- Increase the separation between the equipment and receiver.
- Connect the equipment into an outlet on a circuit different from that to which the receiver is connected.
- Consult the dealer or an experienced radio/TV technician for help.

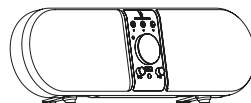
BOX CONTENTS



Power adapter with a cord and region specific plugs



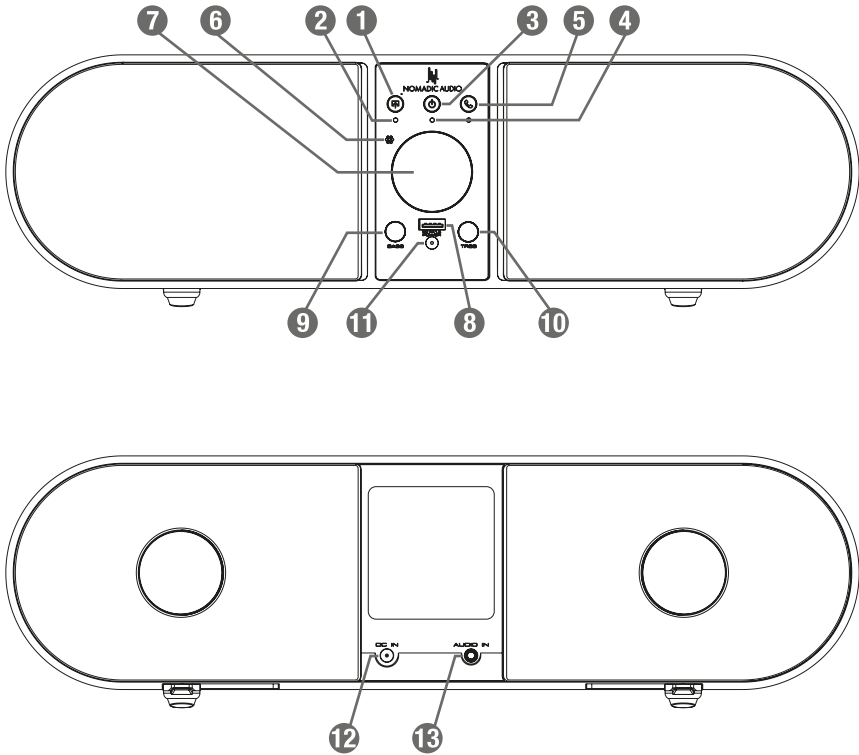
Quick start user manual and safety information



NOMADIC AUDIO active stereo loudspeaker

DEVICE LAYOUT

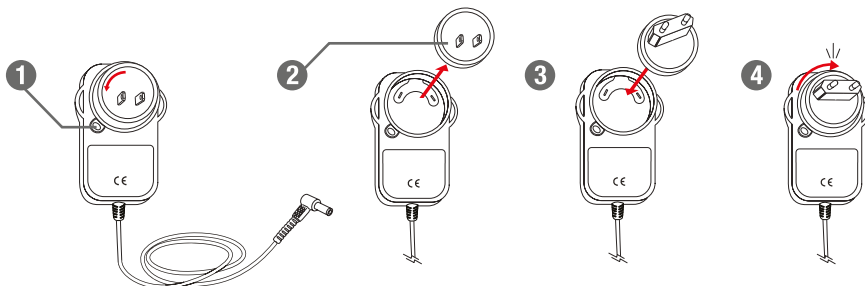
- 1. INPUT SELECT / BT PAIRING BUTTON
- 2. INPUT SELECT / BT PAIRING INDICATOR
- 3. POWER BUTTON
- 4. POWER INDICATOR
- 5. PHONE / TWS PAIRING BUTTON
- 6. MICROPHONE
- 7. VOLUME KNOB
- 8. USB PORT (OUTPUT DC ONLY)
- 9. BASS ADJUSTMENT KNOB
- 10. TREBLE ADJUSTMENT KNOB
- 11. FRONT POWER INPUT
- 12. REAR POWER INPUT
- 13. AUX INPUT FOR 3.5MM STEREO PLUG



CHANGING THE POWER SUPPLY PLUG

THE 15V INTERNATIONAL POWER SUPPLY INCLUDES PLUGS FOR US, EU, UK, AND CHINA. ONLY USE THE PLUG THAT IS CORRECT FOR YOUR REGION

1. PRESS AND HOLD THE BUTTON NEXT TO THE PLUG AND TURN THE PLUG COUNTER-CLOCKWISE.
2. REMOVE THE PLUG.
3. INSERT THE CORRECT PLUG
4. TURN THE PLUG CLOCKWISE UNTIL YOU HEAR A CLICK

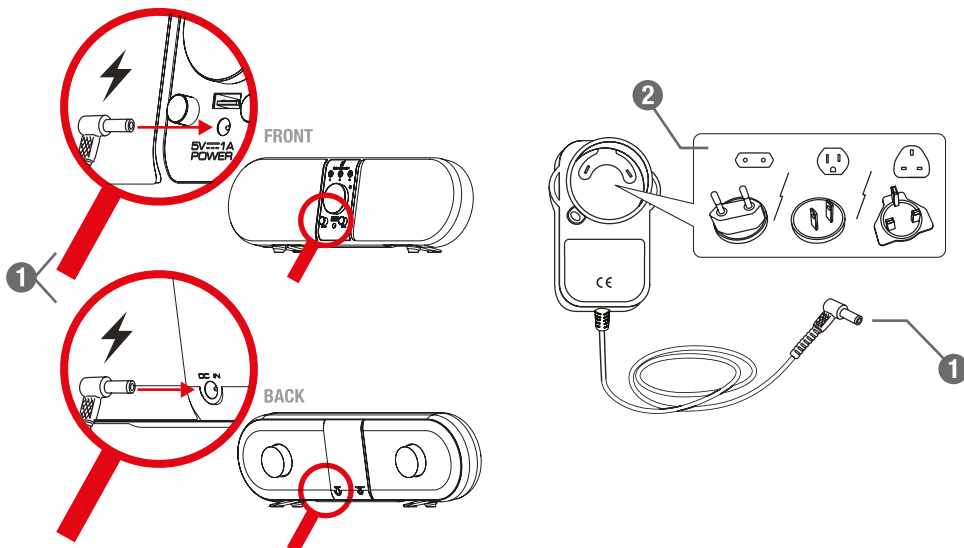


PLUGGING IN AND CHARGING

THE NOMADIC AUDIO BT SPEAKER HAS A PLAY-TIME OF UP TO 25 HOURS ON A FULL CHARGE AT MID VOLUME, AND CAN BE FULLY CHARGED IN 3 HOURS.

IF THE POWER INDICATOR IS FLASHING – THEN THE BATTERY IS AT 25% CAPACITY OR LESS

1. INSERT THE POWER CORD INTO ONE OF THE 15V POWER SOCKETS EITHER ON THE FRONT OR THE BACK OF THE DEVICE
2. CONNECT THE POWER SUPPLY TO THE WALL SOCKET.



- THE POWER LED INDICATOR WILL "BREATHE" WHEN CHARGING
- WHEN THE DEVICE IS FULLY CHARGED – THE POWER LED INDICATOR WILL STAY ON

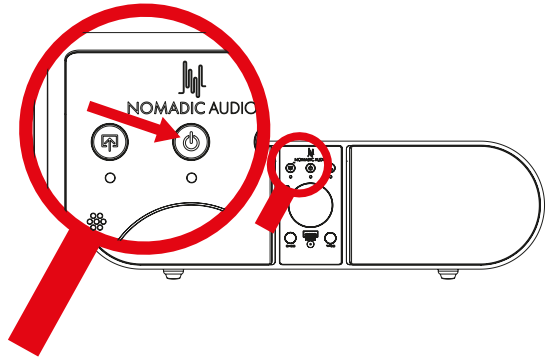
TURNING THE DEVICE ON/OFF

ON

- PRESS AND HOLD POWER BUTTON FOR OVER 1 SECOND TO TURN ON THE SPEAKER.
- THE POWER LED INDICATOR WILL TURN ON

OFF

- PRESS AND HOLD THE POWER BUTTON FOR 3 SECONDS TO TURN OFF THE DEVICE.
- POWER LED INDICATOR WILL SWITCH OFF.
- DEVICE WILL POWER OFF AUTOMATICALLY AFTER 40 MINUTES OF INACTIVITY

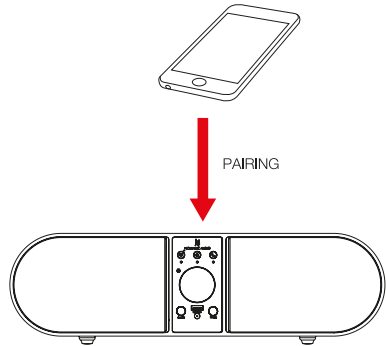


BT PAIRING

- SHORT-PRESS THE SOURCE BUTTON TO SWITCH DEVICE TO BT MODE
- SOURCE LED INDICATOR WILL TURN BLUE
- LONG-PRESS THE SOURCE BUTTON TO ENTER PAIRING MODE
- SOURCE LED INDICATOR WILL START BLINKING
- PAIR BT DEVICE (CHOOSE "NOMADIC1" FROM THE AVAILABLE BT DEVICES LIST ON YOUR BT COMPATIBLE AUDIO SOURCE)
- SOURCE LED INDICATOR WILL STOP BLINKING AND STAY ON

THE NOMADIC AUDIO BT SPEAKER WILL REMEMBER UPTO 5 BT DEVICES AND WILL TRY TO CONNECT TO THEM AUTOMATICALLY WHEN THEY ARE IN RANGE, AND PRIORITISE THE LAST CONNECTED DEVICE.

IF THE BT SOURCE AND THE NOMADIC AUDIO SPEAKER GET OUT OF RANGE AND DISCONNECT, THE NOMADIC AUDIO SPEAKER WILL ATTEMPT TO AUTO-CONNECT AS SOON AS THE BT DEVICE MOVES WITHIN RANGE AGAIN.



TWS PAIRING

THE NOMADIC AUDIO BT SPEAKER IS ALREADY A TRUE 2-WAY STEREO SPEAKER BY ITSELF, WITH DEDICATED FULL-SIZE WOOFERS AND TWEETERS FOR EACH CHANNEL.

FOR A WIDER SOUND STAGE AND INCREASED OUTPUT FOR LARGER SPACES, THIS DEVICE FEATURES TWS (TRUE WIRELESS STEREO) FUNCTIONALITY ALLOWING YOU TO PAIR 2 UNITS TOGETHER TO CREATE A WIDER STEREO SETUP.

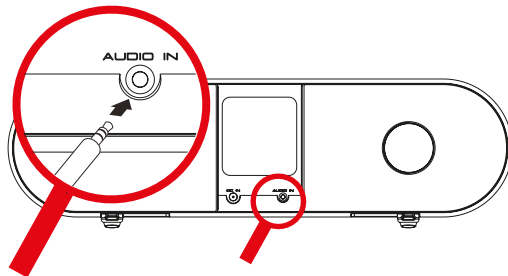
TO PAIR 2 NOMADIC AUDIO BT SPEAKERS FOLLOW THESE INSTRUCTIONS:

- MAKE SURE BOTH SPEAKER UNITS ARE ON
- SET THE MASTER UNIT TO BT MODE BY SHORT-PRESSING (1 SECOND) THE SOURCE BUTTON – SOURCE LED WILL BLINK IN BLUE
- PAIR YOUR AUDIO SOURCE TO THE SPEAKER UNIT VIA BT (FOLLOW INSTRUCTIONS ABOVE)
- SET THE SLAVE UNIT TO BT MODE BY SHORT-PRESSING (1 SWCOND) THE SOURCE BUTTON – SOURCE LED WILL BLINK BLUE
- LONG-PRESS THE PHONE BUTTON ON THE MASTER UNIT TO ENALE TWS PAIRING (SOURCE LED WILL INDICATOR WILL BLINK SLOWLY IN BLUE)
- LONG-PRESS THE PHONE BUTTON ON THE SLAVE UNIT TO PAIR IT WITH THE MASTER UNIT.
- MASTER UNIT WILL PLAY THE LEFT AUDIO CHANNEL AND THE SLAVE UNIT WILL PLAY THE RIGHT AUDIO CHANNEL.



AUX 3.5MM STEREO INPUT

- CONNECT 3.5MM STEREO PLUG TO THE DEVICE
- SHORT-PRESS SOURCE BUTTON TO SWITCH TO AUX MODE
- SOURCE BUTTON WILL TURN WHITE

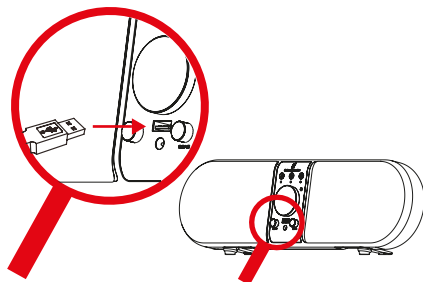


CONNECTING USB

THE DEVICE FEATURES A USB 5V DC CHARGE PORT ON THE FRONT PANEL.

THIS IS NOT A DIGITAL AUDIO INPUT, IT CAN ONLY BE USED FOR CHARGING OTHER DEVICES FROM THE NOMADIC AUDIO'S INTERNAL BATTERY.

YOU CAN USE THE USB PORT FOR CHARGING YOUR MOBILE PHONE OR TABLET WHILE STREAMING BT TO AVOID DEPLEATING YOUR BATTERY OR SIMPLY CHARGING YOUR DEVICES ON THE GO.



BT SPEAKERPHONE

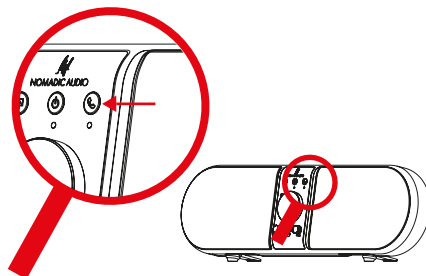
WHILE THE NOMADIC AUDIO SPEAKER IS PAIRED VIA BT TO A MOBILE PHONE, IT CAN BE USED TO TAKE OR REJECT PHONE CALLS, AND AS A SPEAKERPHONE USING THE ONBOARD MICROPHONE.

ANSWER PHONECALL

- WHEN INCOMING PHONE CALL TO A BT PAIRED PHONE – SHORT-PRESS THE PHONE BUTTON TO ANSWER THE CALL
- PRESS AGAIN TO END CALL.

REJECT PHONECALL

- WHEN INCOMING PHONECALL TO A BT PAIRED PHONE – LONG-PRESS THE PHONE BUTTON TO REJECT THE CALL



ADJUSTING THE SOUND

YOU CAN ADJUST THE SOUND OF THE NOMADIC AUDIO BT SPEAKER TO YOUR TASTE AND ACCORDING TO YOUR LISTENING ENVIRONMENT BY USING THE VOLUME KNOB AND 2 TONE-CONTROL KNOBS ON THE FRONT PANEL.

ADJUST THE VOLUME

- THE VOLUME KNOB IS LOCATED ON IN THE CENTER OF THE FRONT PANEL
- TURN THE KNOB COCKWISE TO INCREASE VOLUME
- URN THE KNOB COUNTER-CLOCKWISE TO DECREASE VOLUME

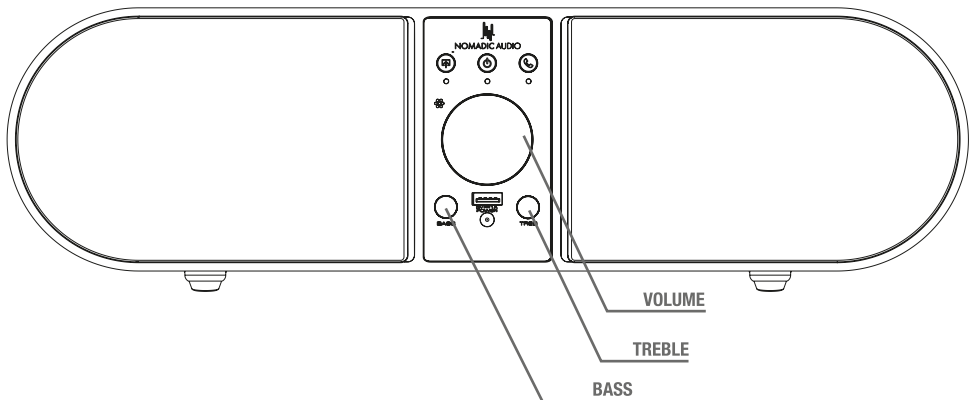
WARNING: ALWAYS MAKE SURE TO ADJUST THE VOLUME TO A SAFE LISTENING LEVEL DEPENDING ON YOUR ENVIRONMENT AND DISTANCE FROM THE SPEAKER

ADJUST THE BASS

- THE BASS ADJUSTMENT KNOB IS LOCATED ON THE BOTTOM LEFT OF THE FRONT PANEL
- TURN THE KNOB COCKWISE TO BOOST THE BASS
- TURN THE KNOB COUNTER-CLOCKWISE TO CUT THE BASS
- LEAVE THE KNOB IN THE CENTER FOR THE FLATTEST RESPONSE

ADJUST THE TREBLE

- THE TREBLE ADJUSTMENT KNOB IS LOCATED ON THE BOTTOM RIGHT OF THE FRONT PANEL
- TURN THE KNOB COCKWISE TO BOOST THE TREBLE
- TURN THE KNOB COUNTER-CLOCKWISE TO CUT THE TREBLE
- LEAVE THE KNOB IN THE CENTER FOR THE FLATTEST RESPONSE



TECHNICAL INFORMATION

SOUND SPECIFICATION

ACTIVE STEREO LOUDSPEAKER (OPEN BAFFLE DESIGN OUTSIDE OF SPEAKASE, SEALED ENCLOSURE INSIDE SPEAKASE)

TONE CONTROLS

BASS: 300Hz, +6dB TO -12dB
TREBLE: 3kHz, +6dB TO -12dB

CLASS D AMPLIFIER: 2 X 13.5W RMS

WOOFER: 2 X 4"X6" (ELLIPTICAL WATER REPELANT PAPER WOOFER)

TWEETER: 2 X 1" (SOFT DOME TWEETER)

MAX SPL: 100dB SPL @ 1m (in a box- speakase)

FREQUENCY RANGE: 35 - 20 000Hz

CONNECTIVITY

BT: STANDARD V5.0 + APTx

AUX INPUT: 3.5mm STEREO PLUG

TECHNICAL INFORMATION

POWER ADAPTER: 15V/1.8A

MAX PEAK POWER CONSUMPTION: 60W

STANDBY POWER CONSUMPTION

BATTERY MODE: 150µA

POWER ADAPTER MODE: 0.2W

USB CHARGING OUTPUT: 5V/1A

AUDIO OUTPUT: 60W (27WRMS)

BATTERY TYPE: 3 X 3.7V LI-IO BATTERIES, 2200mAh

BATTERY PLAYING TIME:

MAX VOLUME: 5-10h

MID VOLUME: 25h*

* MID VOLUME PLAY TIME IS CALCULATED AT LEVEL 5 WITH RANDOM MUSIC CONTENT.

BATTERY CHARGING TIME: 3h

WEIGHT: 1.20kg

SIZE: 260 X 140 X 41mm

FUNCTIONS AND OPERATIONS

FUNCTION	OPERATION	INDICATOR
TURN THE DEVICE ON	Power button - long press when device is off	Power LED on
TURN THE DEVICE OFF	Power button - long press when device is on	Power LED off
BT MODE NOT PAIRED	Source button - short press	Source LED double-blinking (Blue) - Device will auto-connect to saved BT devices nearby or TWS master speaker.
BT PAIRING MODE	Source button - long press when device is in Bluetooth mode	Source LED blinking fast (Blue)
BT MODE PAIRED		Source LED on (Blue)
AUX INPUT ACTIVE	Source button - short press	Source LED on (White)
TWS PAIRING MODE	Phone button - short press when device is paired in BT mode	Source LED blinking slow (Blue)
ANSWER PHONE CALL	Phone button - short press when incoming phone call	Source LED on (Blue)
REJECT PHONE CALL	Phone button - long press when incoming phone call	Source LED on (Blue)
DISCONNECT PAIRED BLUETHOOOTH DEVICE	Source button - long press when BT device is paired	Source LED blinking fast (Blue)
DISABLE TWS MODE	Source button - long press when TWS is paired	Source LED blinking slow (Blue)
CHARGE BATTERY	Connect power cord	Power LED breathing while power cord is connected
DEVICE IS FULLY CHARGED		Power LED continuous on when power cord is connected
DEVICE IS LOW ON BATTERY		Power LED blinking when power cord is disconnected

NOTES:

A BT DEVICE COULD CAUSE SOUND-RELATED OR TECHNICAL FAULTS, DEPENDING ON USE, IN THE FOLLOWING CASES:

- WHEN SOME PART OF THE BODY IS IN CONTACT WITH THE RECEIVING/TRANSMITTING SYSTEM FOR THE BT DEVICE OR THE STOCKWELL.
- ELECTRICAL VARIATIONS DUE TO OBSTACLES IN THE FORM OF WALLS, CORNERS, ETC.
- EXPOSURE TO ELECTRICAL DISRUPTIONS FROM DEVICES WITHIN THE SAME FREQUENCY BAND, FOR EXAMPLE MEDICAL EQUIPMENT, MICROWAVE OVENS AND WIRELESS NETWORKS.

THIS WIRELESS DEVICE MAY CAUSE ELECTRICAL DISRUPTIONS DURING USE.

TROUBLE SHOOTING

PROBLEM	CAUSE	ACTION
THE DEVICE DOES NOT TURN ON	The power supply is not connected and the internal battery is discharged.	Ensure that the device is plugged into a working AC wall socket
THE INTERNAL BATTERY IS NOT WORKING OR BATTERY LIFE HAS DECLINED.	The internal battery is broken or worn out and needs to be replaced.	Contact a qualified service provider
THERE IS NO SOUND	The device is set on the wrong input source. No audio source connected Volume is set too low on either the sound source or the Nomadic Audio speaker. Audio source is not playing or paused.	Press the source button to switch to the correct audio source Connect the sound source to the speaker either via BT or with a 3,5mm aux cable Slightly increase the volume on your sound source, then slightly increase the volume on the speaker. Press "Play" on your audio source device.
THE SOUND IS TOO LOW	The audio cable is not properly connected. Volume is set too low on either the sound source or the Nomadic Audio speaker.	Ensure that the audio cable is properly connected and that it is not damaged. Slightly increase the volume on your sound source, then slightly increase the volume on the speaker.
THERE IS A CRACKLING SOUND	The amplifier is clipping if it runs out of power.	Decrease the volume on your sound source. Lower the volume or bass boost on the Nomadic Audio speaker.
THE SOUND IS DISTORTED	Volume is set too high on either the Nomadic Audio speaker or the audio source. The sound file (mp3) is of poor quality. Too much bass/treble boost on the speaker.	Turn down the playback volume on the sound source or the Nomadic Audio speaker. Try another sound file (mp3) or music player Set the bass and/or treble knobs on the Nomadic Audio front panel to flat (center position).
ERRATIC PERFORMANCE	Interference from another electronic device.	Move the Nomadic Audio speaker to another location. Turn off or move the interfering electronic device.
CANNOT CONNECT OR PAIR WITH A BT DEVICE	The two BT devices are too far apart. BT is not enabled on your device. The pairing timed out. Your device prompts you for a pin code. Your device only supports BT (hands-free) area function.	Move the devices closer so that they are within 10 meters, and unobstructed by obstacles such as walls or doors. Ensure that BT is enabled on your device. When the pairing button is pressed, the Nomadic Audio speaker searches for devices for 3 minutes In most cases, you do not need to enter the pin code (password) when connecting the BT device to the Nomadic Audio speaker. If the window for entering the pin code is displayed, use the pin code 0000. The speaker cannot connect using Bluetooth hands-free area function. Connect using 3.5mm aux cable instead.
BT CONNECTION DROPS OUT	The two BT devices are too far apart or the connection is affected due to obstacles. There is a strong electric field interfering with the devices.	Move the devices closer so that they are within 10 meters, and unobstructed by obstacles such as walls or doors. Items such as microwave ovens, wireless network adapters, fluorescent lights and gas cookers use the same frequency range as the BT device. This may lead to interference with the signal.

IMPORTANT SAFETY INSTRUCTIONS

Read the safety and operation instructions before using the product.

Follow all the instructions and heed all warnings.

Keep the instructions handy for your future reference.

WARNING!

- WARNING – Do not expose the battery to excessive heat (for example: direct sunshine or flame).
- WARNING – To reduce the risk of fire or electric shock, do not expose the device to water for extended periods of time, and do not submerge.
- WARNING – do not cover the device.
- WARNING – only use the accessories specified by the manufacturer and/or that have been supplied with the device (power supply / adapter, battery, etc).
- WARNING – the power plug and adapter should remain readily accessible at all times and disconnected when the device is not in use or malfunctioning.
- WARNING – this device may cause hearing damage. Always adjust the volume to a safe listening level and keep a safe listening distance from the device.
- WARNING – do not attempt to open, repair or modify the device. There are no user serviceable parts inside.
- WARNING – do not plug a guitar into the speaker Aux input.
- DANGER – Always make sure the device is placed on a flat and steady surface. Be mindful of the product sliding to avoid accidental drops.

MOISTURE AND HUMIDITY

- The device should never be submerged in water. It is not waterproof, only water resistant for short periods, and this may result electric shock or fire.

OPERATING ENVIRONMENT

This device has been tested to operate in tropical conditions.

