

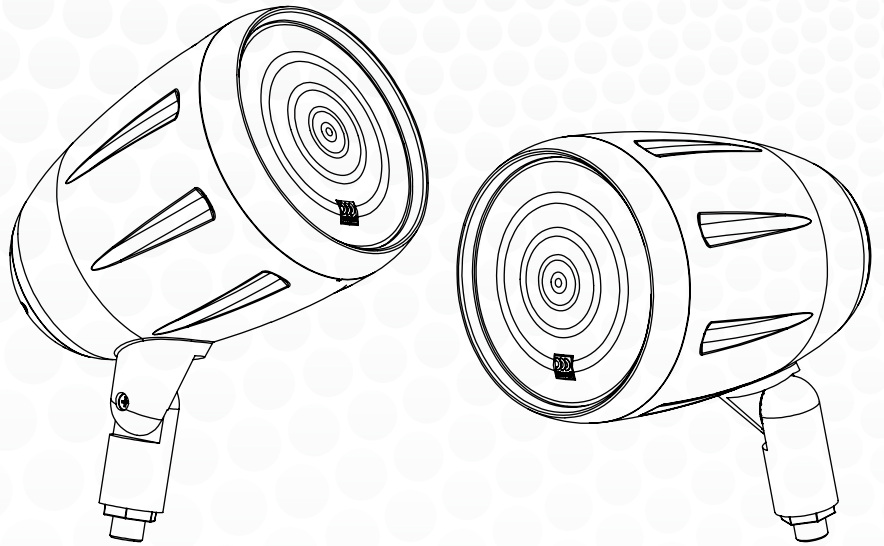


Breez

CX600

All weather 2way loudspeaker
70V / 100V / 8ohm Landscape

USER MANUAL



PLEASE NOTE!

These speakers are manufactured to resist many weather conditions. Painted with a UV protection layer and incorporating aluminum grilles and brace.
They are NOT WATERPROOF and may not be submerged underwater.

specifications

Description	two way passive speaker	Drive units	Woofer: 6" (rubber surround + IMPP cone)
Impedance	8 ohms		Tweeter: 0.75" aluminum dome tweeter
Sensitivity	86 dB	Construction	PP with Matte finish, aluminum grill
Frequency response	70-20 kHz	Dimensions	260mm x 180mm (10.2" x 7.1")
Power handling	70WRMS (140W)	Weight	2.45Kg (5.4lbs)

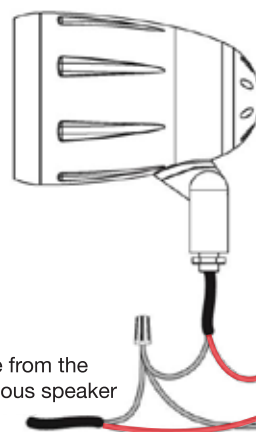
• Morel operates a product design improvement policy consequently specifications are subject to alterations without prior notice

70V/100V Line connection

Proper connection of your speakers to your amplifier or receiver is important in order to obtain their best sound quality. Please follow these guidelines carefully to ensure proper connection for optimum performance and reliability. Sloppy connections can cause amplifier malfunction or damage.

WARNING!

- leave the amplifier unpowered and disconnected from the speaker line until all other connections have been made.
- use only with 70V/100V/PA amplifier



Connect wire from the AMP or previous speaker

Connect wire to the next speaker (If it is not the last speaker)

Transformer tap settings



Breez CX600 loudspeakers have an adjustable tap setting switch located under the removable rear cover. To adjust the setting, use a flat or phillips screwdriver to rotate the tap setting dial on the rear of the speaker to the desired mark. When the adjustments are complete and fully tested, install the rear cover of the speaker and handtighten it until it is secure.

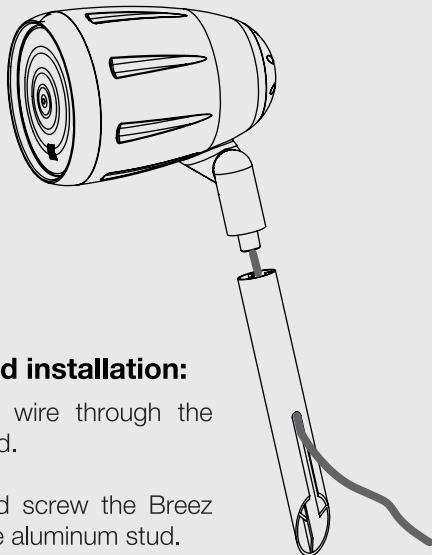
Breez CX600 speakers that are used in 70/100 volt systems can be set to different Wattages permitting added or a lesser amount of volume in one particular speaker. This allows easier system fine tuning and a balanced listening volume.

WARNING!

The Breez CX600 transformer faucet (tap) must be set according to the type of amplifier used (8Ω or 70/100 volt). Setting the transformer incorrectly could damage the speaker or amplifier. This type of damage is not covered by warranty.

Installing the Speakers

1.



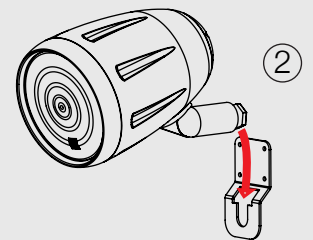
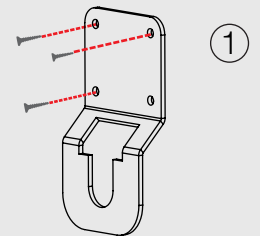
ground stud installation:

1. Insert the wire through the aluminum stud.
2. Rotate and screw the Breez CX-600 to the aluminum stud.
3. Stick the spike in your desired location - in the ground or plant pot. Set the speaker angle towards the listening area you have chosen.

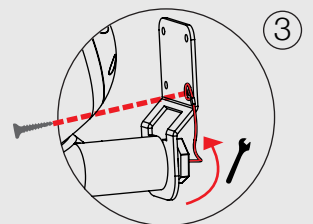
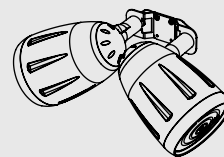
2.

Wall mounting:

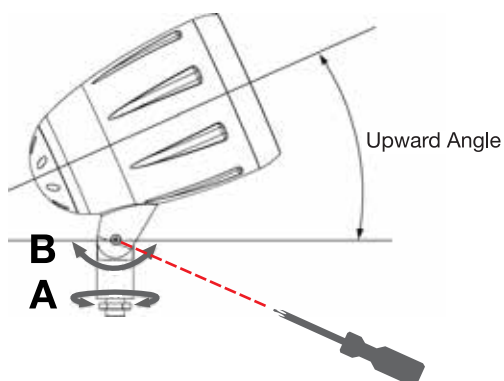
1. mark and drill the holes according to the bracket. Secure the bracket with only 3 screws.
2. Place the speaker on the bracket.
3. Position the speaker and fasten the locking nut. Place the safety cable loop over the last hole and secure with the 4th screw.



Optional Installation Of 2 Units Together



Adjusting the speaker



You can rotate the speaker to direct the sound towards the listeners.

If the speaker is connected with a spike, you can adjust its angle by releasing the screw a bit **(B)**. Adjust the speaker to the desired angle and tighten the screw back.

If the speaker connected to the wall bracket, adjust its angle by tightening the speaker to the nut **(A)** through the bracket to the desirable angle.